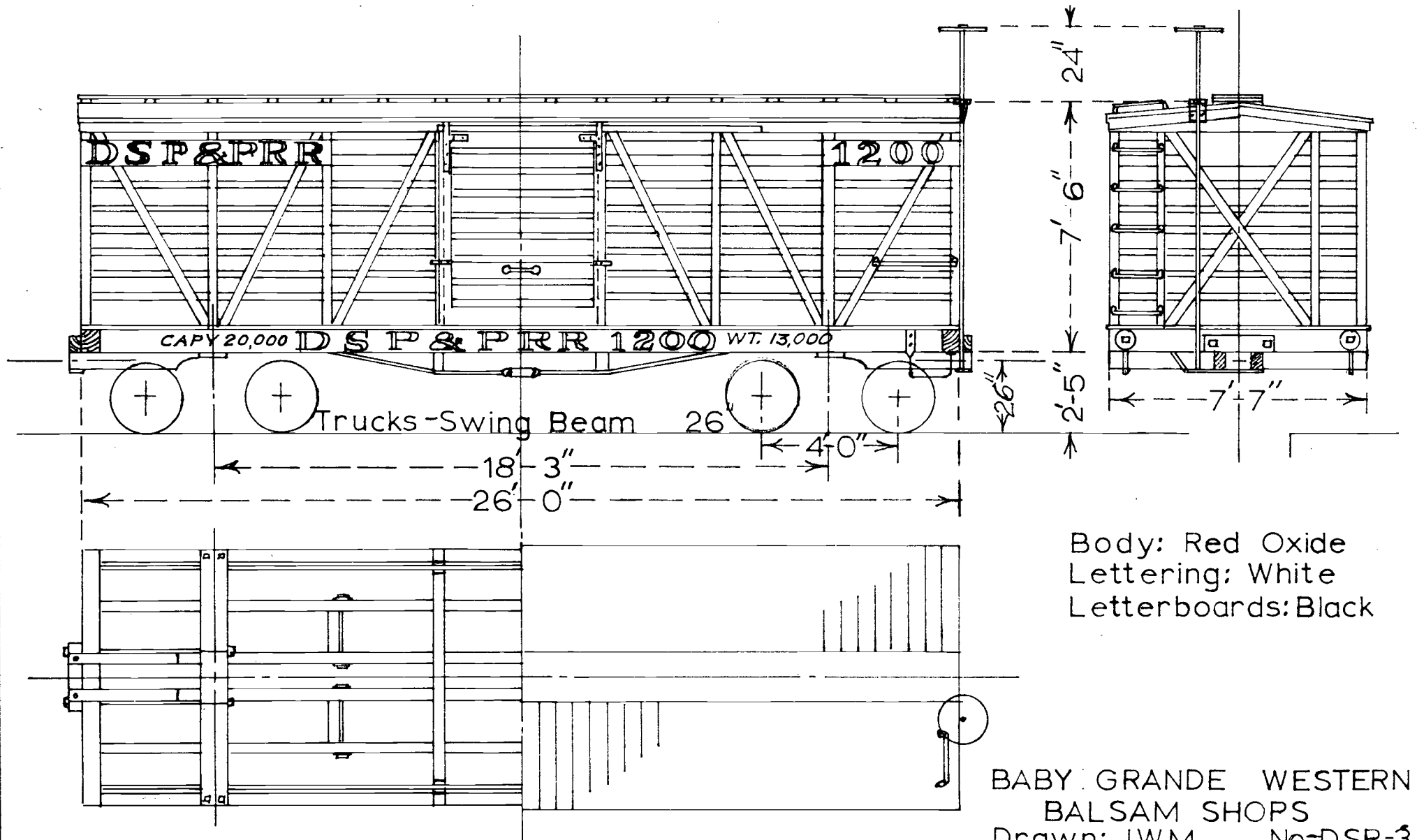


Built about 1880-1

DENVER SOUTH PARK & PACIFIC
STOCK Cars Nos. 1200-1208
1885 Nos. 18,000-18,008; U.P.(D.L.&G.) 1889

Scale $\frac{1}{4}'' = 1'$



Body: Red Oxide
Lettering: White
Letterboards: Black

BABY GRANDE WESTERN
BALSAM SHOPS
Drawn: J.W.M. No. DSP-3
Wheat Ridge, Co. 10-6-68

Traced 3-24-69