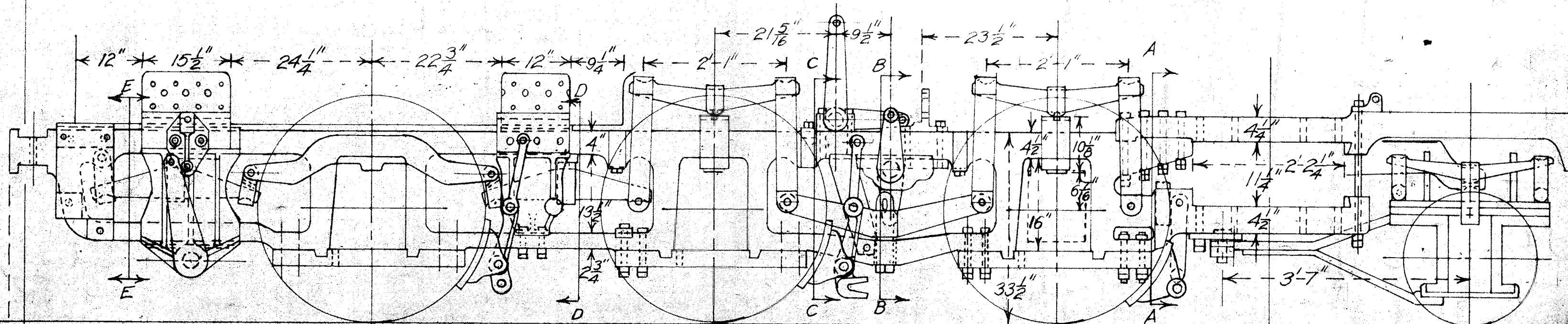


C & S Ry. 4551-D
2-19-17

COLORADO & SOUTHERN
CAST STEEL FRAME AND
SPRING RIGGING ERECTING PLAN
ENGINES 4-10

Scale $\frac{3}{4}'' = 1'$



Section E-E
Back

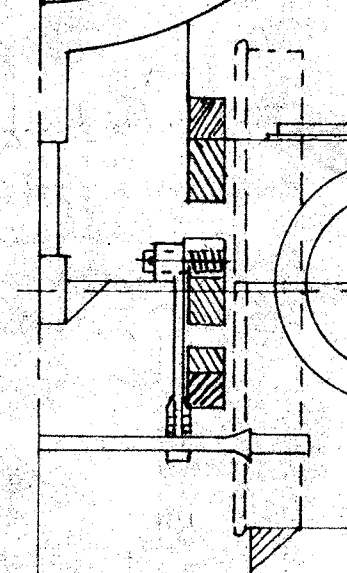
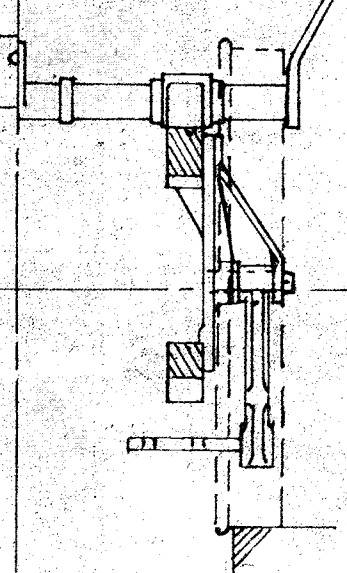
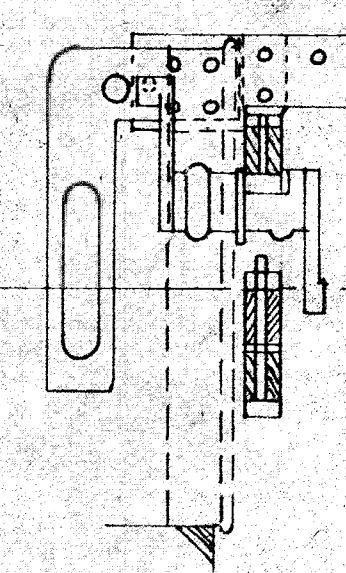
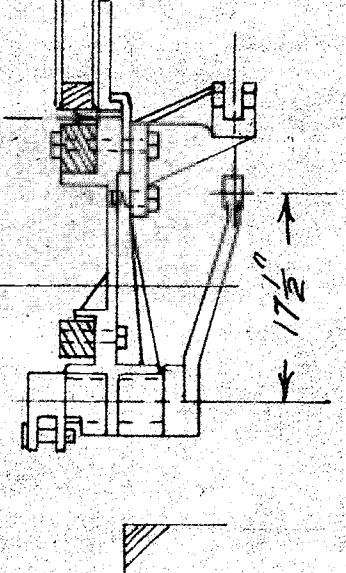
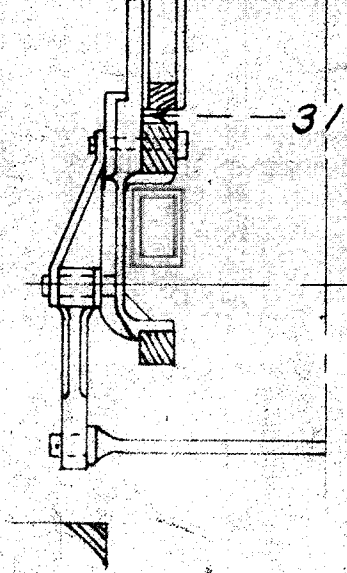
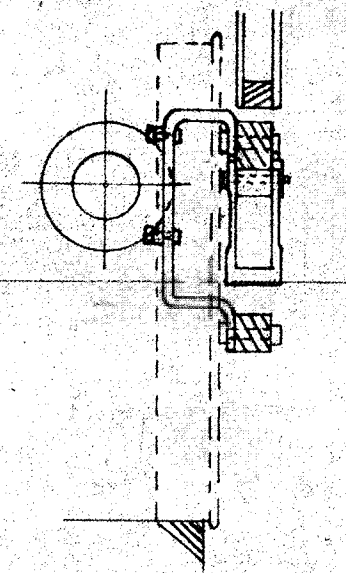
D-D
Back

E-E
Forward

B-B
Forward

C-C
Forward

A-A



Originally Dwg. No C-12

C-112
BABY GRANDE WESTERN
BALSAM SHOPS
J.W.M. Feb. 12, 1955