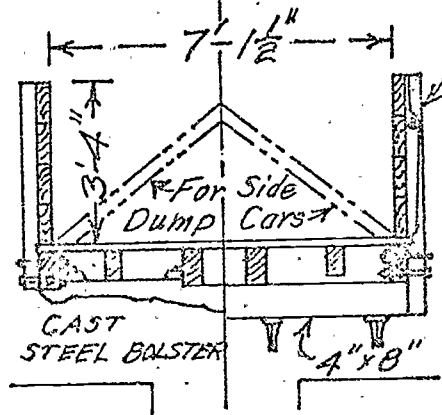
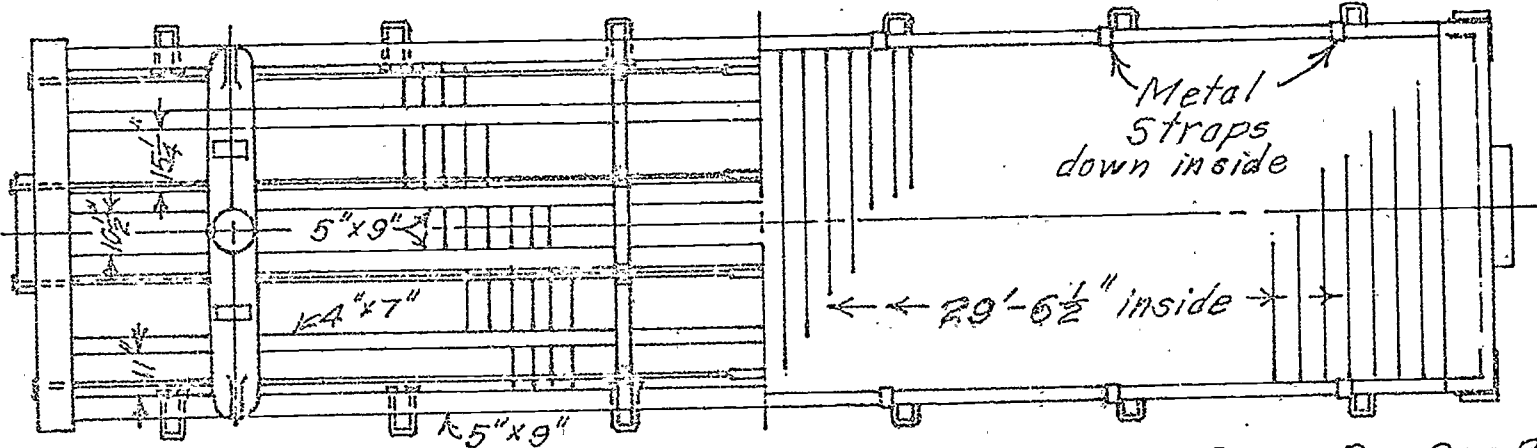


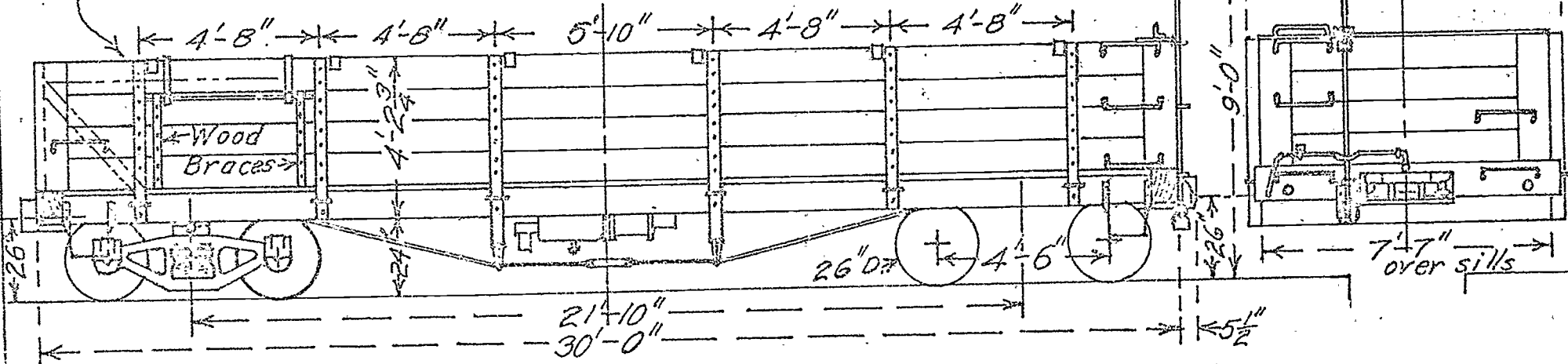
Built by C. & S.
 4408-47 - Nov. '07
 4448-97 - Sept. '08

COLORADO & SOUTHERN
 COAL CARS 4408-4497
 Rebuilt to Side Dump: 4409, 11, 16, 25, 35, 36, 40, 43,
 49, 54, 55, 68, 75, 89, 91, 92, 97.

Scale $\frac{1}{4}'' = 1'$
 For Side Dump
 - Metal Hinge



10-Side Dump cars renumbered 0200-0209 Cars - Box Car Red
 April-1920 and used as Cinder Cars.
 5 doors each side on Side Dump cars.



Capacity 50,000 lbs.
 Ld. Lmt. 55,000 lbs.
 Lt. Wt. 18,200 lbs.-Cu. Ft. 702
 Side Dump 21,800 lbs.-Cu. Ft. 374.5-Flush
 Cu. Ft. 560 - 30° Heap.

New York Air Brake
 Tower Coupler
 Bettendorf Body Bolsters
 Bettendorf Trucks.

BABY GRANDE WESTERN
 BALSAM SHOPS
 Drawn: J.W.M. C-13
 Wheat Ridge, Colo. 9-21-55