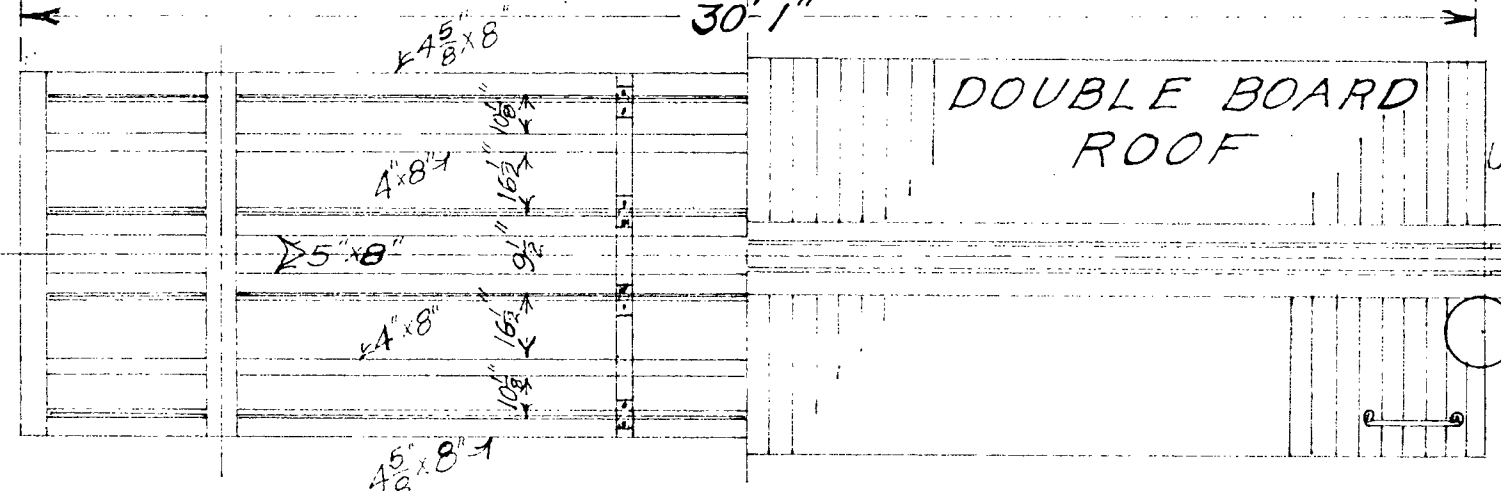
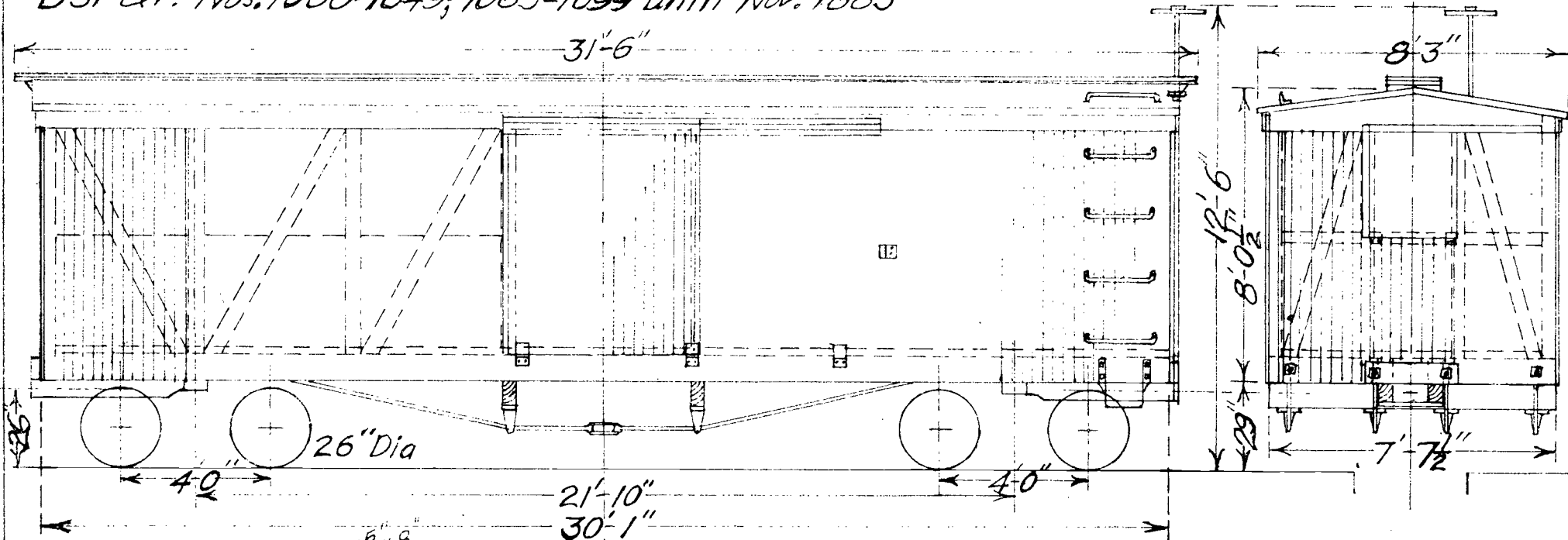


UNION PACIFIC (D.L. & G.)  
 NOS. 24,411 - 24,590 (up to 1891)  
 DSP&P. Nos. 1000-1049; 1065-1099 until Nov. 1885

COLORADO & SOUTHERN  
 NOS. 7617 - 7716

Scale  $\frac{1}{4}'' = 1'$



Body & Roof: Freight Car Red  
 U.P.-Fascia Board: White  
 Lettering: White  
 Capacity: 40,000 lbs.  
 Cubic Capy: 1218 C.F.  
 Weight: 22,500 lbs.  
 Lgt. Inside 29'-7 1/2"  
 Wt. " 7'-0"  
 Ht. " -clear 5'-10"

Frame dimensions from C&S 7660 (UP 24,520) Kokomo, 1963  
 Overall dimensions from C&S folio sheet.

BABY GRANDE WESTERN  
 BALSAM SHOPS

Drawn: J.W.M. No. C-22  
 WHEAT RIDGE, COLO. APR. 9, 1967