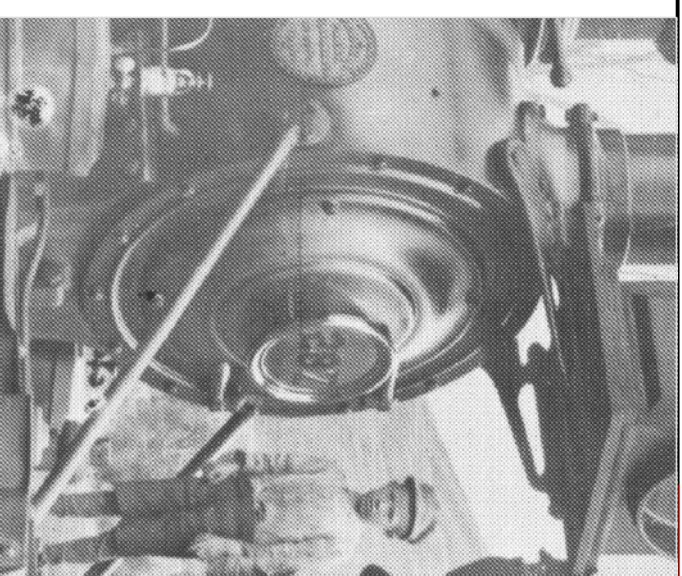
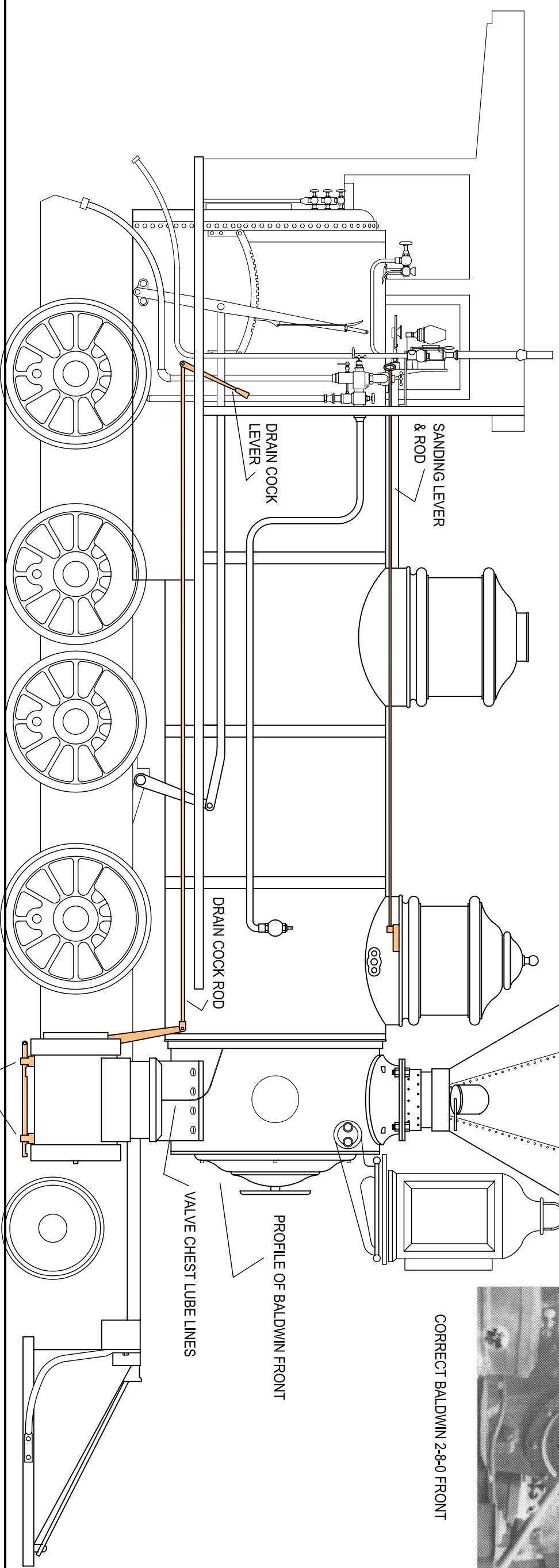


CORRECT BALDWIN 2-8-0 FRONT

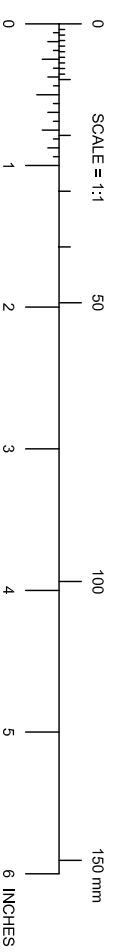


CORRECT BALDWIN 2-8-0 FRONT



DRAIN COCK LEVER & SANDING LEVER ON #51 & #191.

DSP&P #51 - 1880. - GENERAL DETAILS



DSP&P #51 - 1880