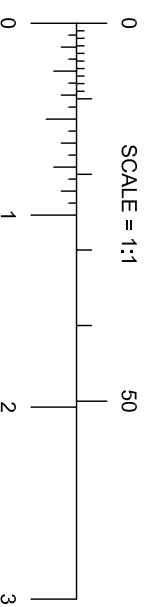
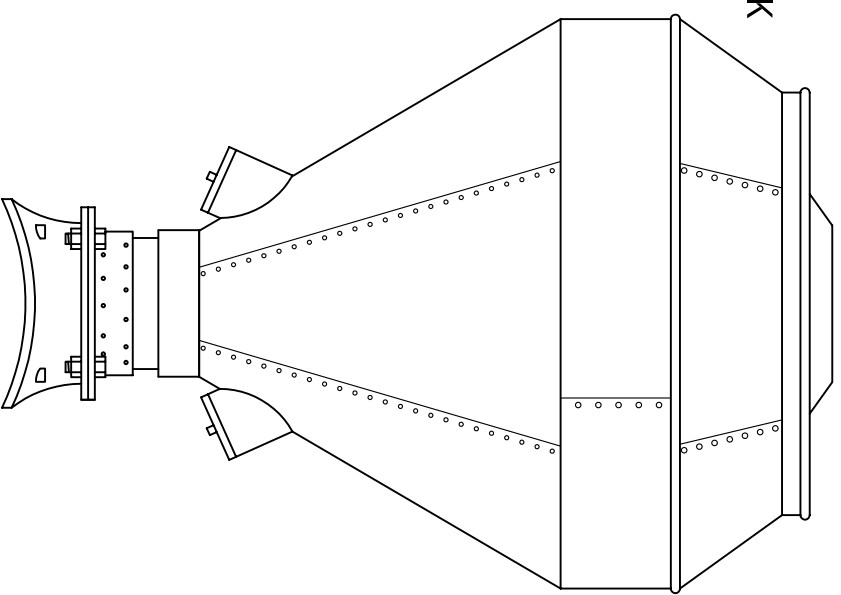


NESMITH STACK



DSP&P #51 NESMITH STACK

DSP&P #191 - 1885

DRAWN BY DAVID FLETCHER 2007